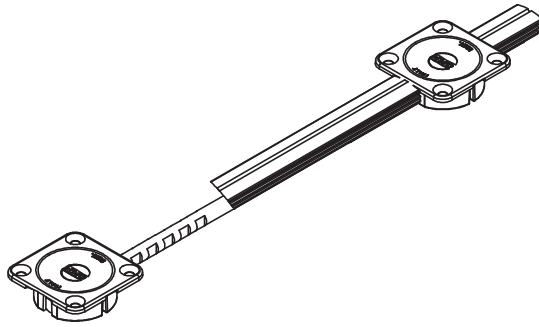
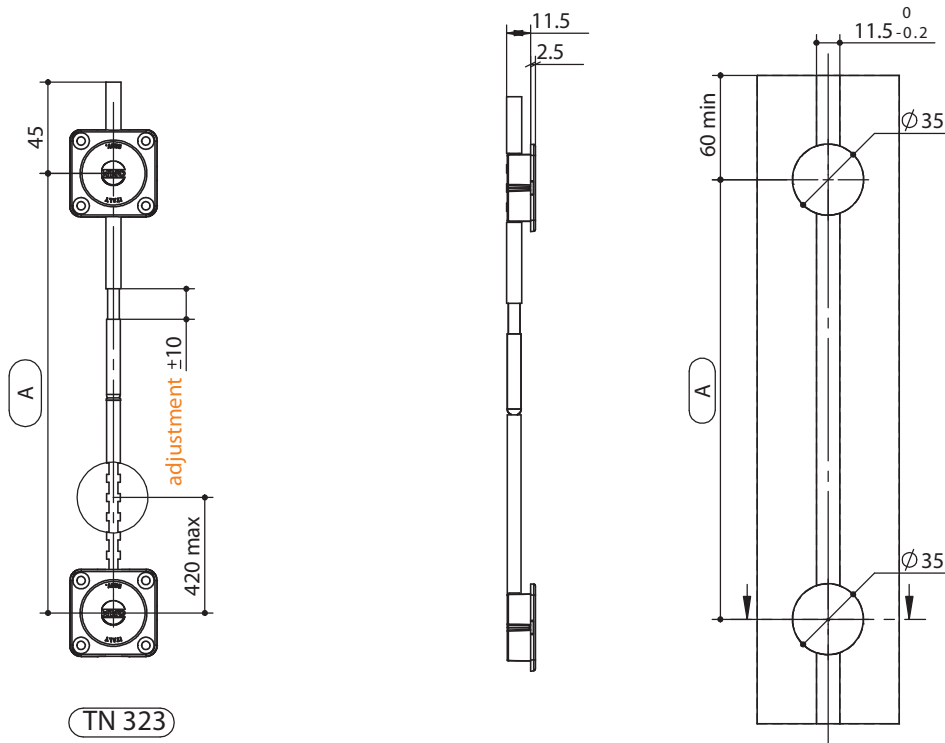




Recessed wardrobe adjuster type TN323



TN 323 cutable version



TN 323

type	measure	A	finishing
TN323.	2300	2300	07 nickel
	2610	2610	

NORMALLY ASSEMBLED ON WOODEN PANELS OR AGGLOMERATES AND HOLLOW WOOD PANELS. FIXING WITH THE SCREWS. MINIMUM THICKNESS 16. CEBTRE DISTANCE: MINIMUM 1200 ; MAXIMUM 2800