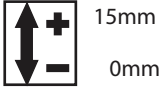




Level adjusters type LV521 with connecting fitting CT88

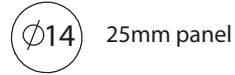


1500N



15mm

0mm

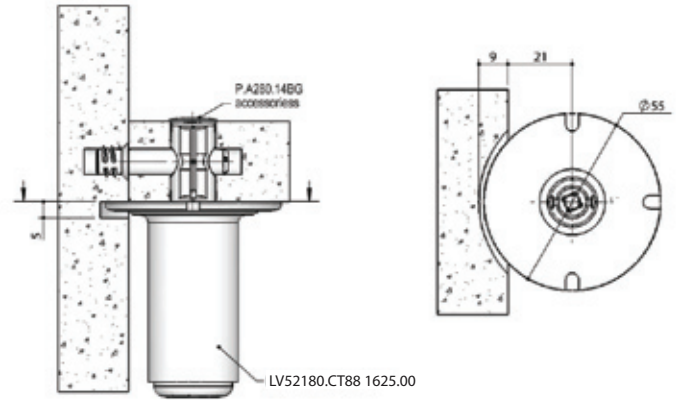


25mm panel

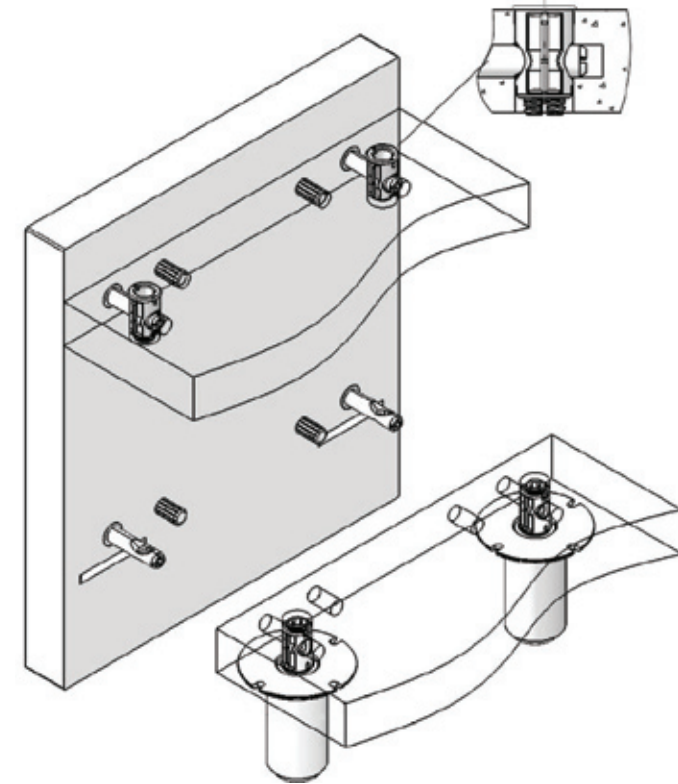
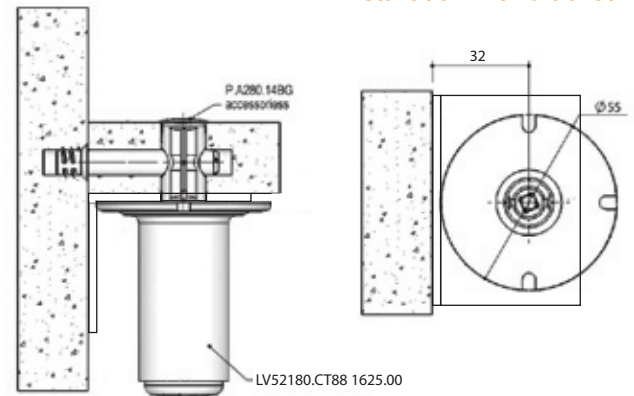


30mm panel

Installation without bracket



Installation with bracket

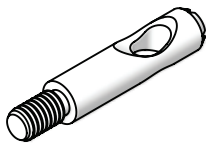


Level adjuster characterised by being assembled to the connecting fitting. It supports the outer side. It is particularly useful in cases where the internal sides do not go on the ground as machining is not required.

Accessories use with LV511



Housing BU01



Dowel P.78 M6



Grain M10 P.A.268

